

ENGINE

- Cummins QSM11-C335 electronic 6 cylinder low emission diesel.
- Tier 3 emissions compliant.
- Heavy duty air cleaner with restriction indicator and safety element.
- Engine protection system monitors oil pressure, water level and temperature.
- Sealed 140 amp alternator, high charge at low RPM.

TRANSMISSION AND DRIVE AXLE

- Dana (Clark) TE27 electronic powershift transmission.
- 4 speeds forward and reverse.
- T-CON fully automatic electronic shift control provides forward/reverse interlock and downshift protection.
- Planetary style, wide drive axle with integral oil cooled wet disc brakes.

BRAKE SYSTEM

- Fully hydraulic operation.
- Oil cooled, wet disc service brakes.
- Brake system oil constantly cooled and filtered.
- Accumulator provides emergency applications in the event of engine failure.
- Fail safe park brake system - spring applied, oil pressure released - applied through dry brake disc acting on drive axle input.

STEERING SYSTEM

- Hydrostatic system
- Heavy duty, welded beam design steer axle protects steer cylinder.
- Single, transverse mounted steer cylinder acting through fixed links - no adjustment required.
- Centralised lubrication of oscillation pins.
- One piece rim clamping flange provides wheel nut and stud protection.

HYDRAULIC SYSTEM

- Two tandem gear pumps
- 10 micron filtration on return
- Lowering control valves provide controlled lowering under all conditions.
- Accumulator in lift circuit provides shock load protection.
- Twin hose overmast improves reliability.

ELECTRICAL SYSTEM

- 24 V system supplied by 2 x 12 V 300 Ah batteries.
- Clip in relays for fast field replacement.
- Push button reset, circuit breaker protection.
- Harness in protective conduit with colour and numeric code for easy circuit identification.
- Full light kit including stop, tail and turn indicators.
- Container handling light package.

OPERATORS CABIN

- Spacious cab designed for low noise.
- Tinted safety glass.
- Adjustable steering column and ergonomically arranged controls and instrumentation.
- Audio-visual alarm system.
- Suspension seat with seatbelt.

CARRIAGE

- Roller and pin type fork designs available.
- High strength, low weight design.
- Cylinder operated side shift and fork positioning.
- Full 3-D CAD modelling.

SERVICEABILITY

- Spin on filter assemblies.
- Heavy duty, easily serviceable air cleaner.
- Gas strut hoods and bonnets.
- Quick detach panel assemblies.

20' - 40' FORK MOUNTED TOP LIFT ATTACHMENTS

- Floating twistlocks and end boxes.
- Electrical and mechanical twistlock indicators.
- Hydraulic extendible and retractable to handle both 20' and 40' containers.
- Automatic twistlock operation.
- Twin cylinders provide slew and outreach and single cylinder for side shift.
- Optional 30' or 35' stops.
- Optional chains for bottom lift capability.

OPTIONAL EXTRAS

- Air conditioning.
- Weight gauge.
- Observers' seat.
- Elevated cab.
- Remote lift chain lubricating system.
- Omega Data Management System (ODMS)



Forklift Trucks E Series

36t - 50t @ 1200mm LC

Features

- Cummins QSM11 engine
- TE27 transmission T-CON
- Wet disc brakes
- Luxury cab
- 24 volt electrical system
- Outstanding visibility electronic
- Ergonomic design
- Reliable construction

FOR FURTHER INFORMATION CONTACT

Clark Equipment Australia Pty Ltd - Heavy Equipment Division
30 Salisbury Rd/PO Box 50, Hornsby NSW Australia 2077

T +61 2 9477 8466

F +61 2 9476 2241

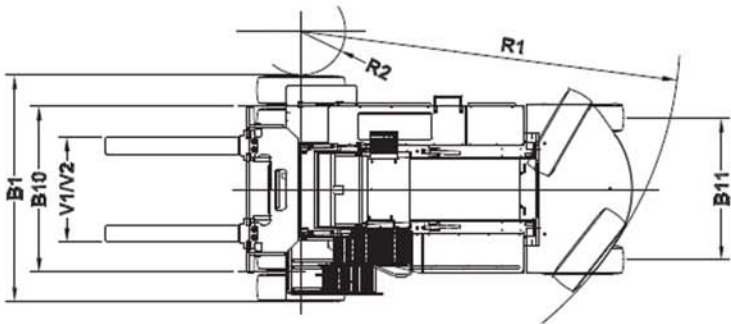
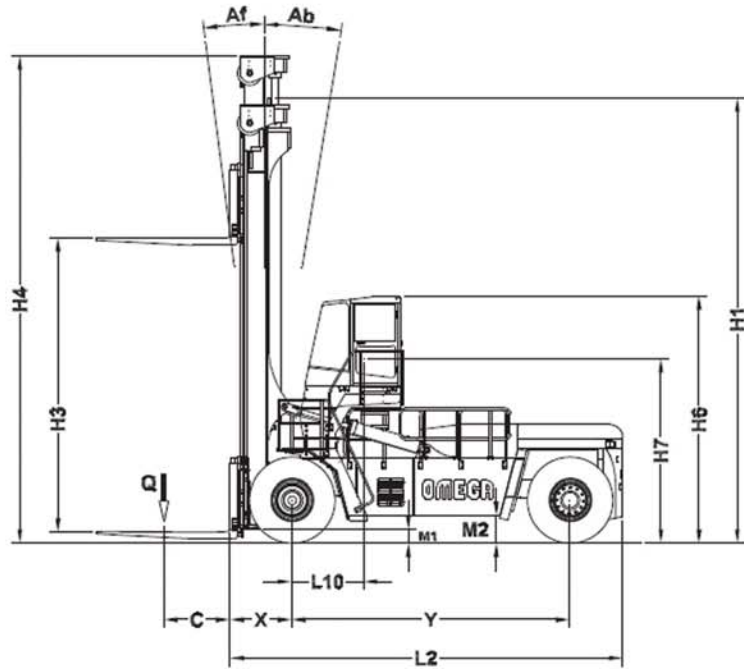
E omega@clarkequipment.com

W www.omega-heavy-trucks.com

www.clarkequipment.com



Designed and manufactured in Australia



1 MANUFACTURER		OMEGA FORKLIFT TRUCK					2			
Specifications	2 MODEL	REF	Designation	Units	42E	44E	48E	50E	54E	2
	3 LOAD CAPACITY	Q	Rated load	kg	36 000	40 000	40 000	45 000	50 000	3
	4 LOAD RATING	C	Distance	mm	1 200					4
5 OPERATOR TYPE	Stand on / driver seated				Seated					5
6 UPRIGHT	H3	Std lift height	mm	7500		6500		10000		6
7 FORK	Thickness x width x length			mm	105x305x2440	110x330x2440	130x305x2440			7
8 TILT OF UPRIGHT	Forward / Backward			deg	4 / 6			3 / 6		8
Dimensions	9 L2	Fork face to rearmost point	mm	7 290	7 295	7 375	8 075		8 100	9
	10 B1	Width	mm	4 118					10	
	11 OVERALL DIMENSIONS	H1	Overall height (lowered)	mm	5730					11
	12 H4	Overall height (raised)	mm	8065					12	
	13 H6	Cabin height	mm	4582					13	
14 H7	Seat height	mm	3340					14		
15 TURNING RADIUS	R1	Internal / external	mm	960 / 7168			1529 / 8161		15	
16 LOAD CENTRE	X	Drive axle to fork face	mm	1293	1235	1315		1340	16	
17 90° STACKING AISLE	Ast	2400x2400 load / no load	mm	11106			12099		17	
Performance	18	Travel - laden/unladen	km/h	25					18	
	19 SPEEDS	Lifting - laden/unladen	m/s	0.25 / 0.28					19	
	20	Lowering - laden/unladen	m/s	0.4 / 0.3					20	
	21 MAX. DRAWBAR PULL	Laden	kN	368					21	
22 GRADEABILITY 1.6KM/H	Laden	%	30					22		
23 MAX. GRADEABILITY	Laden	%	23					23		
Weight	24 SERVICE WEIGHT	Including battery (line 45)		kg	55 400	61 560	62880	58 300	66370	24
	25 AXLE LOADING	Laden (front/rear)		kg	85149 / 12411	88 170 / 7 220	90660 / 12220	96 266 / 7 034	106710 / 9660	25
		Unladen (front/rear)		kg	31560 / 30000	29 080 / 26 320	30220 / 32660	31 559 / 26 741	35310 / 31060	26
Chassis	27 TYRE TYPE	P=Pneumatic C=Cushioned		Front/rear	P/P					27
	28 WHEELS	Number of wheels		Front/rear	4/2					28
	29 TYRES	Size		Front	1800-25/40					29
		Size		Rear	1600-1800-25/40					30
	31 WHEELBASE	Y			mm	5 100			5 800	31
	32 TREAD	Centre lines tyres front/rear		mm	3 025 / 2 845		3 025 / 2 801	3 025 / 2 640	3 025 / 2 801	32
33 GROUND CLEARANCE	M1	Laden (minimum)		mm	297					33
	M2	Laden middle of W'base		mm	436					34
35 SERVICE BRAKE	Type - Brake wheels		Wet disc brakes - Driven wheels							35
36 PARKING BRAKE	Type - Brake wheels		Spring applied, hydraulic released - Driven wheels							36
Driveline	37 BATTERY	Volts/ampere Hrs (max capacity)		V / Ah	24 / 180 / 1460					37
	38 FUEL TANK	Capacity		L	440		720			38
	39 HYDRAULIC TANK	Capacity		L	460		580			39
	40 I.C. ENGINE	Manufacturer - Cummins		type	QSM11 - C335					40
		Rated output SAE J1349		kW	250					41
		Rated speed SAE J1349		RPM	2100					42
		No. Of cylinders/displacement		cm ³	6/10800					43
		Max Torque		Nm/RPM	1674 / 1400					44
	45 TRANSMISSION	DANA Clark		Speeds	TE27 4F/4R					45
Misc.	46 OPERATION PRESSURE	For attachments (adjustable)		Bar	195					46
	47 SOUND LEVEL	Average at driver's ear*		dB(A)	80					47
	48 *A53713-1985									